

# Syringe Kit

This Syringe Kit (G2938-68706) is for use with

- DNA Kits
- HS DNA Kit
- RNA Kits
- Small RNA Kit
- Protein Kits

It contains a syringe with luer lock adapter (1 mL). See [Figure 1](#) on page 1 for details.

## NOTE

The syringe kit is not for use with any Kit of Agilent Technologies other than specified here.



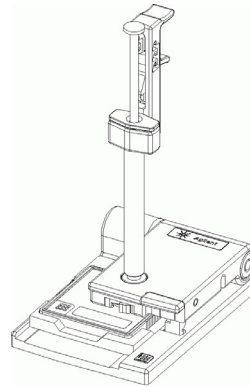
**Figure 1** Syringe with luer lock adapter

The adjustable clip is an accessory. It is shipped with the Chip Priming Station (5065-4401).

The Chip Priming Station allows a tight and reliable seal to be made between syringe and one well of the chip. It supports the user to:

- apply appropriate pressure,
- avoid bubble formation due to air leaks,
- completely fill the chip with gel or gel/dye mixture.

For a completely assembled Chip Priming Station with syringe and clip attached see [Figure 2](#) on page 1.



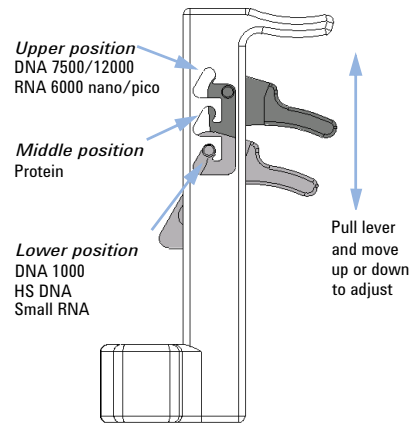
**Figure 2** Completely assembled Chip Priming Station

## Adjusting the Clip

- 1 Make sure to have the plunger at the 1.0 mL position (plunger pulled back).

## NOTE

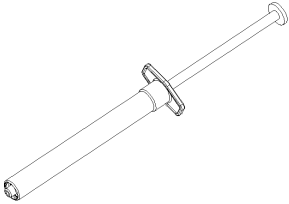
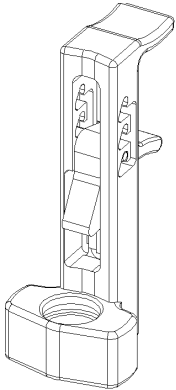
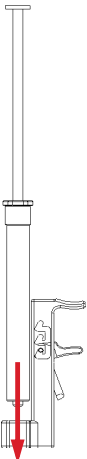
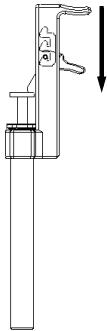
If lever is not in the appropriate position, adjust it as shown in [Figure 3](#) on page 1



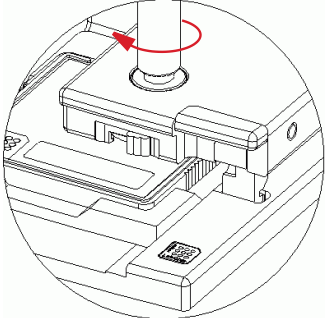
**Figure 3** Adjusting the Clip



## Putting Together Syringe and Clip

<p><b>1</b> Pull the plunger of the syringe at least to the 0.7 mL mark.</p> 	<p><b>2</b> Orient the clip as shown in the Figure.</p> 
<p><b>3</b> Shift the clip on the syringe.</p> 	<p><b>4</b> Press until it locks.</p> 

## Putting Together Syringe and Chip Priming Station

<p><b>1</b> Make sure to have the plunger at the 1.0 mL position (plunger pulled back).</p>	<p><b>2</b> While turning the syringe, carefully slide it into the hole of the luer lock adapter and screw it tight.</p> 
---	---

